

DOCUMENT NO. 00 00 01

ADDENDUM NO. 1

**ALAMOSA WASTEWATER TREATMENT FACILITY
OUTFALL RELOCATION PROJECT
CITY OF ALAMOSA, COLORADO
TZA Project No. 0417001.02
September 28, 2018**

From: Craig T. Matsuda, Project Manager
TZA Water Engineers
12596 West Bayaud Avenue Suite 330
Lakewood, Colorado 80228
Phone: 303.971.0030 x 1518
Email: cmatsuda@tza4water.com

To: Planholders

PLANHOLDERS on the above-named project are hereby notified that this Addendum No. 1 constitutes changes, additions, and/or deletions to the aforementioned contract documents and are by issuance as binding as if originally incorporated in the Contract Documents. All provisions of the Contract Documents not in conflict with Addendum No. 1 shall remain in full force. Bidders shall acknowledge receipt of all addenda on the Bid Form. Failure to do so may subject the Bidder to disqualification. This addendum consists of a total of four pages (two Addendum No. 1 sheets and two pages of attachments).

Changes to Bidding Requirements:

Add. No. 1-1:

Document 33 31 13 – Site Sanitary Sewerage Gravity Piping
a. **REPLACE** Article 2.02 Pipe Accessories with the following:

2.02 PIPE ACCESSORIES – DETECTABLE WARNING TAPE

A. Warning tape shall:

1. **Be detectable polyethylene with aluminum backing for buried, non-metallic piping.**
2. **Have the following wording: “Caution Buried Sewer Line Below” in black lettering on a green background.**
3. **Be three-inches in width and have a five-mil minimum thickness spread flat with message side up prior to backfilling.**
4. **Be installed 12-inches below finished grade, along centerline of buried pipeline.**
5. **For pipeline buried eight-feet or greater below finished grade, provide second line of 6-inch width warning tape two-feet above the crown of the buried pipe, aligned along the pipe centerline.**

Add. No. 1-2:

WWTP Outfall Relocation Plan Set: Drawing 7 of 7 – Details
a. **REPLACE** Thrust Block Detail (End View) with the attached detail:

Questions:

Add. No. 1-3:

What is existing PVC pipe for the connection on 4-7 connection detail?
a. **Specifications of the existing 30” PVC per the Connection Detail on Sheet 4 of 7 are unknown. It is suspected that the existing 30” pipe is corrugated PVC (ASTM F949). For bidding purposes, treat the existing 30-inch PVC as ASTM F949 and field verify during construction.**

Add. No. 1-4:

Is tracer wire needed?

- a. **No, tracer wire is not required.**

Add. No. 1-5:

Kind of pipe for cleanouts 7-7?

- a. **Pipe in cleanout assemblies shall be schedule 40 PVC.**

Add. No. 1-6:

Kind of pipe for the 20" crossing detail 4-7?

- a. **The proposed pipe lowering per the Crossing Detail on Sheet 4 of 7 shall be 21-inch PS 46 PVC pipe conforming to ASTM F679.**
- b. **Clarification: The pipe lowering per the Crossing Detail on Sheet 4 of 7 is required. Discussions regarding removal of the pipe lowering during the pre-bid meeting shall be disregarded.**

Add. No. 1-7:

Pipe for 18" drop man hole can we use SDR35 sewer?

- a. **Yes, the 18-inch drop pipe per the Drop Manhole Detail on Sheet 7 of 7 can be PS 46 PVC pipe conforming to ASTM F679.**

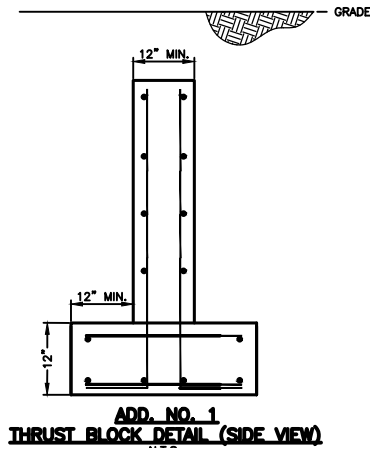
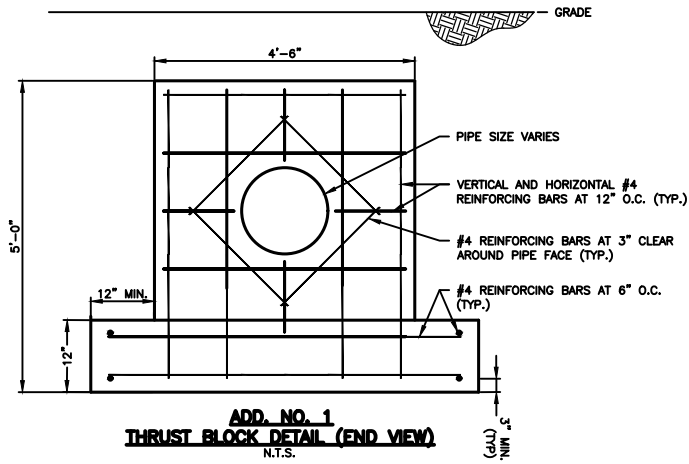
Attachments:

Add. No. 1-8: Add. No. 1 Thrust Block Detail (end and side views)

Add. No. 1-9: Pre-Bid Meeting Attendance Roster.

END OF ADDENDUM

**ATTACHMENT ADD. NO. 1-8:
THRUST BLOCK DETAIL (END AND SIDE VIEWS)**



PRE-BID MEETING ATTENDANCE ROSTER

Project: Alamosa Wastewater Treatment Facility Outfall Relocation Project
Meeting Location: Alamosa Wastewater Treatment Facility
Project #: 0417001.02
Date: September 19, 2018, 11:00 a.m.

Name: <u>Melitt Gardner</u> Representing: <u>Gardner Excavating</u> Address: <u>2075 Rodeo Ln</u> <u>Alamosa</u> Phone: <u>719 589 9389</u> Mobile: _____ Email: <u>ginc1005@guestoffice.net</u>	Name: <u>MARK WRIGHT</u> Representing: <u>CITY OF ALAMOSA</u> Address: _____ Phone: _____ Mobile: _____ Email: _____
--	---

Name: <u>Paul Briggs</u> Representing: <u>Robins Construction</u> Address: <u>Antonito CO</u> Phone: _____ Mobile: <u>505 250 0501</u> Email: <u>pbriggs@robinsconstruction.com</u>	Name: <u>Adam Robins</u> Representing: <u>Robins Construction</u> Address: <u>Antonito, CO</u> Phone: _____ Mobile: <u>719-580-3110</u> Email: <u>adam@robinsconstruction.com</u>
--	--

Name: <u>Theresa Garcia for Bryan Mokuoff</u> Representing: <u>RMS Utilities Inc</u> Address: <u>6349 P.R. 106.655</u> <u>Alamosa CO 81101</u> Phone: <u>719-589-4263</u> Mobile: <u>719-588-4263</u> Email: <u>bmokuoff2002@yahoo.com</u>	Name: <u>Randy Martinez</u> Representing: <u>City of Alamosa</u> Address: <u>P.O. Box 419</u> Phone: _____ Mobile: <u>719-496-6072</u> Email: <u>RMartinez2@ci.alamosa.co.us</u>
--	---

Name: <u>Farrow D. Hall</u> Representing: <u>City of Alamosa</u> Address: <u>P.O. Box 419</u> <u>Alamosa Co</u> Phone: <u>719-480-9030</u> Mobile: <u>" " "</u> Email: <u>FHall@ci.alamosa.co.us</u>	Name: _____ Representing: _____ Address: _____ Phone: _____ Mobile: _____ Email: _____
--	---