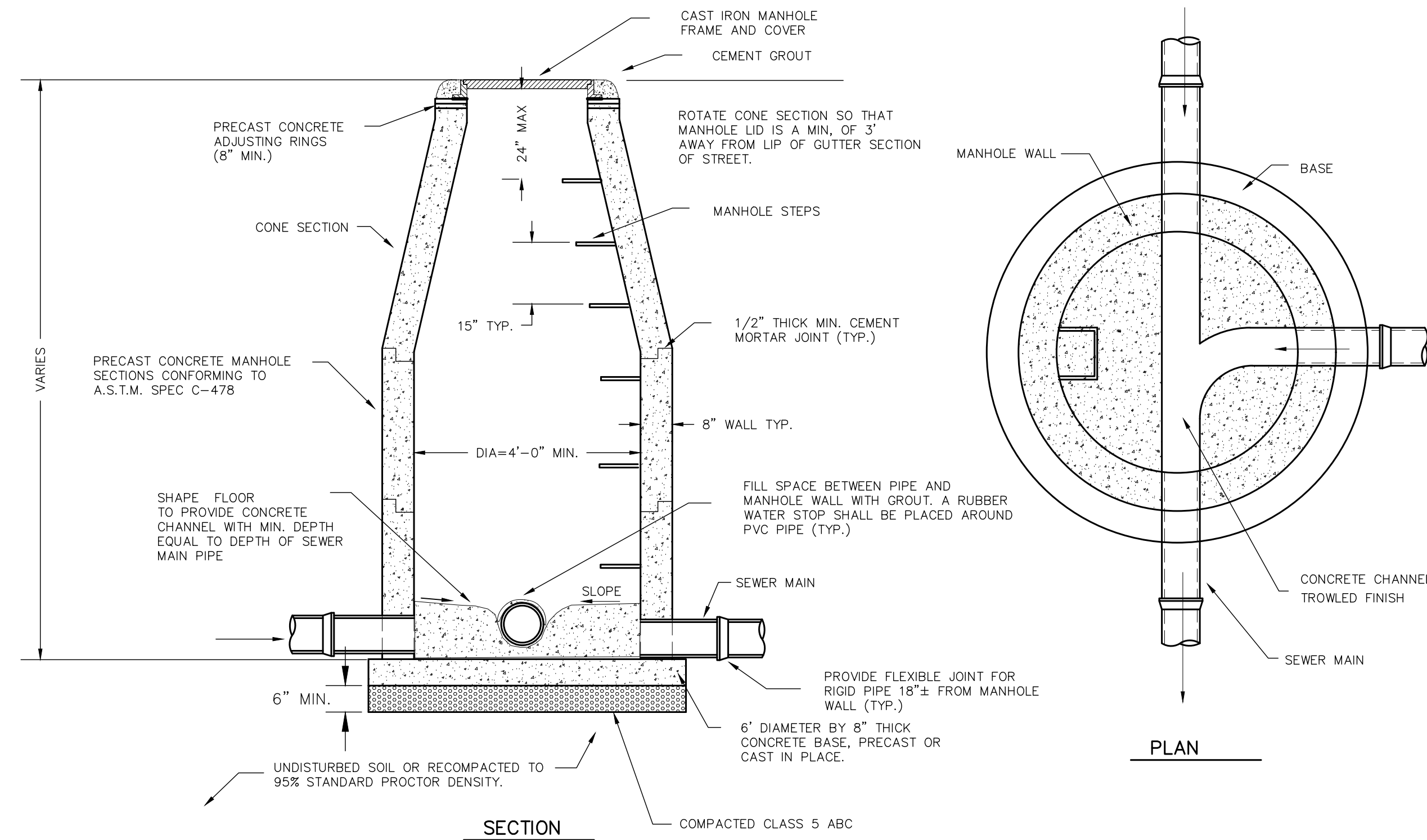
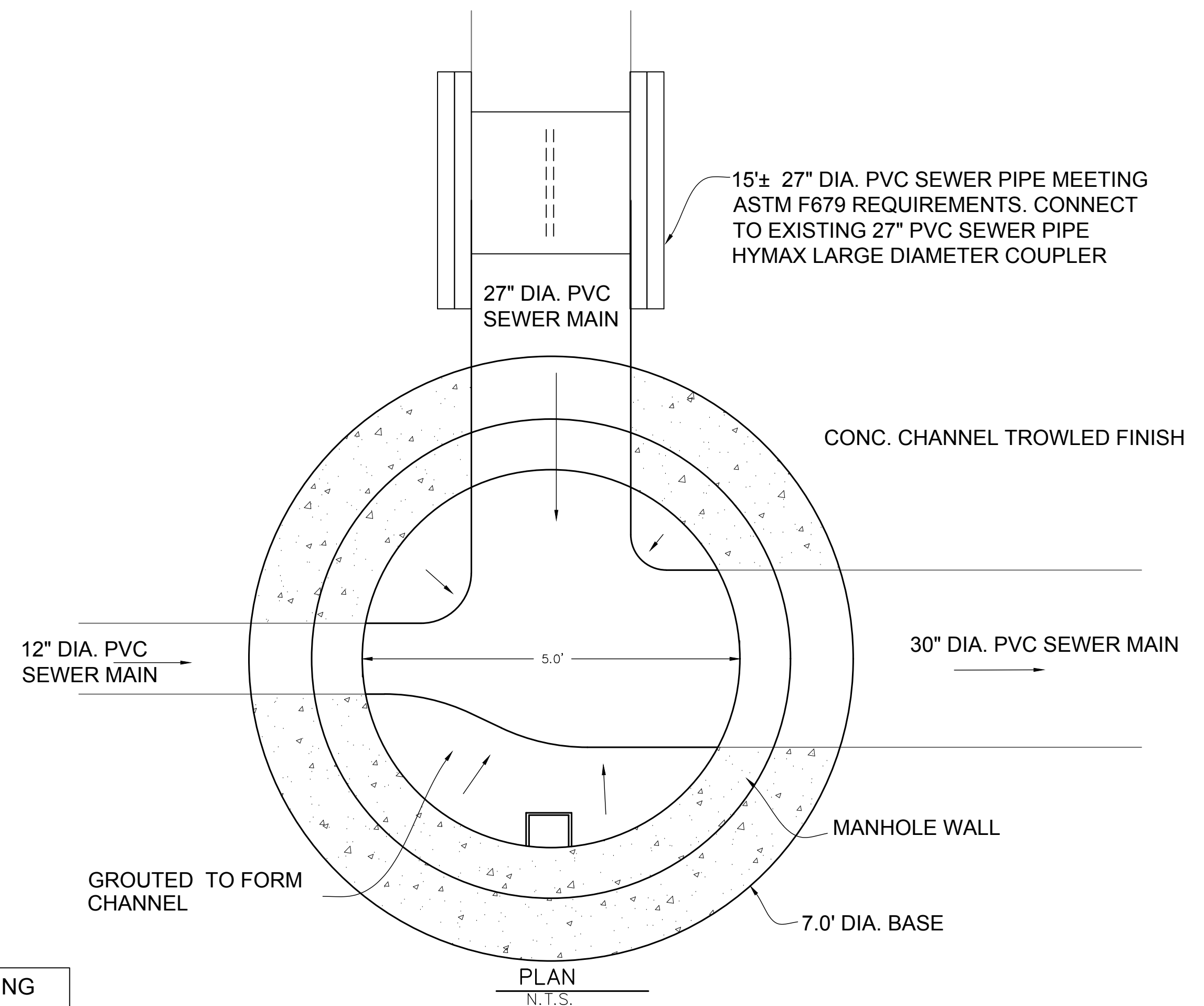


SEWER PIPE BEDDING DETAIL



SEWER MANHOLE DETAIL



SEWER MANHOLE #9 DETAIL

5' DIAMETER MANHOLE

NOT FOR CONSTRUCTION. FOR BIDDING PURPOSES ONLY. 5/15/2018

REVISIONS	By	Date

REYNOLDS ENGINEERING COMPANY
 21626 COUNTY ROAD AA.5
 ALAMOSA, COLORADO 81101
 (719) 274-3218

DATE: MAY, 2018
 SCALE: 1"=1'
 DRAWN: KR
 CHECKED: MR
 APPROVED:

CLIENT: CITY OF ALAMOSA
 TITLE: 12TH STREET SEWER MAIN REPLACEMENT

ALAMOSA 12TH STREET SEWER
 JOB NO.
 ALAMOSA 12TH STREET SEWER
 DRAWING

SHEET
 2 OF 2

This Drawing is the property of the Engineer and is not to be reproduced, modified or used for any other project or extension of this project except by express written consent of the Engineer.