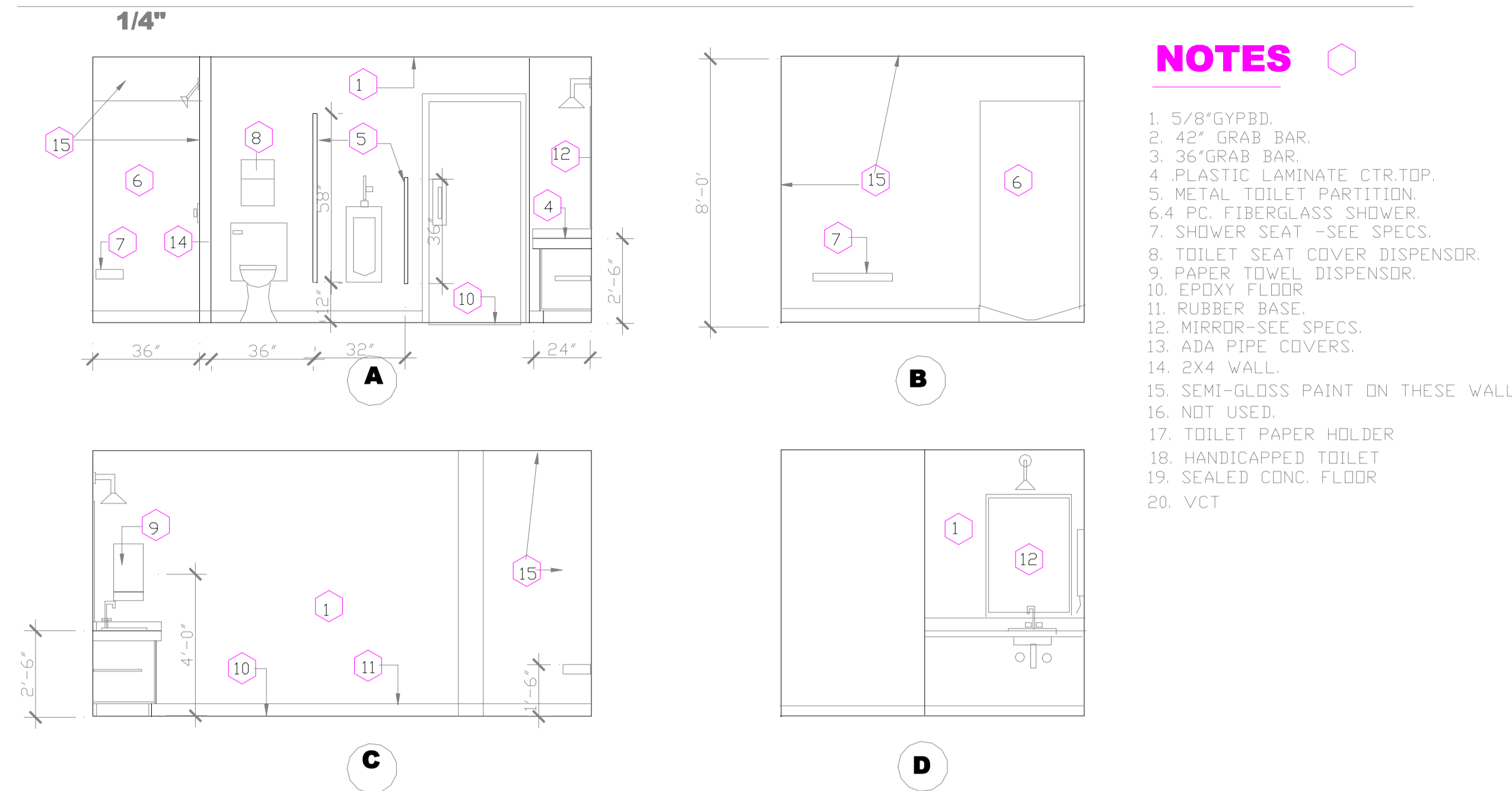
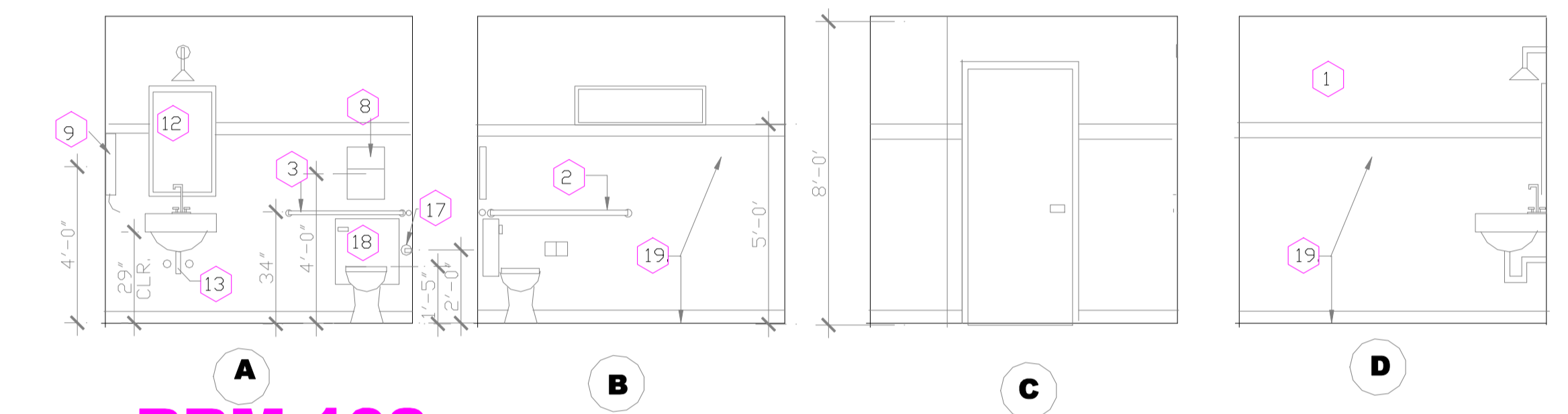


INTERIOR ELEVATIONS

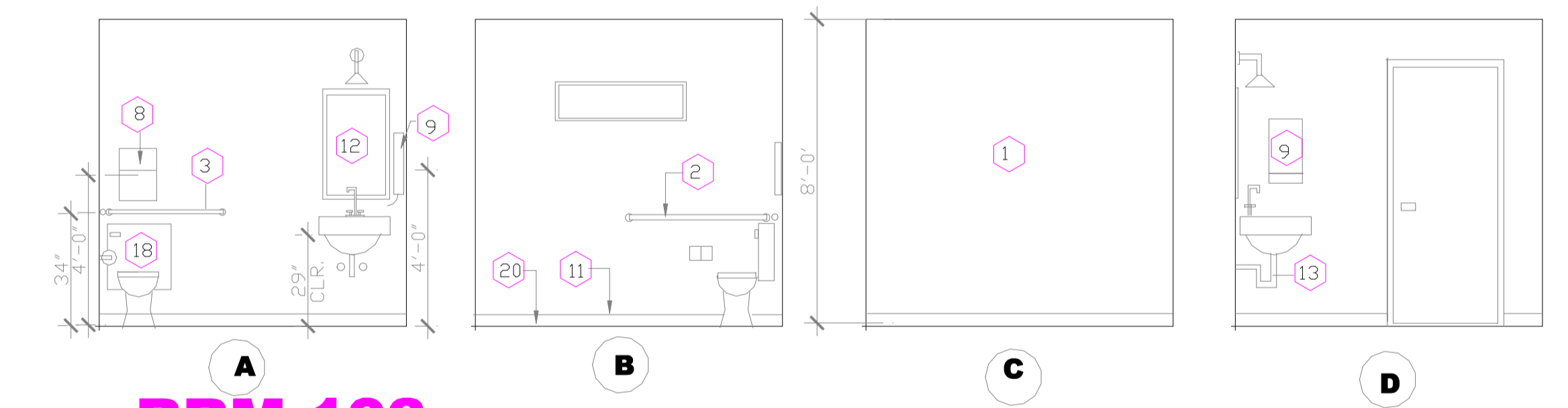
ROOM FINISH SCHEDULE									
ROOM/NO.	FLOORS	WALLS	CEILING	BASE	CEILING HGT.	NOTES			
WAITING 100	●	●	●	●	●				
OFFICE 101	●	●	●	●	●				
RRM. 102		●	●	●	●				
RESTRM. 103	●	●	●	●	●				
STAFF. 104		●	●	●	●				
STAFF 105		●	●	●	●				
RECORDS. 106		●	●	●	●				
OFFICE 107		●	●	●	●				
OFFICE 108		●	●	●	●				
STDR. 109		●	●	●	●				
GARAGE. 110		●	●	●	●				



STAFF RRM. 104



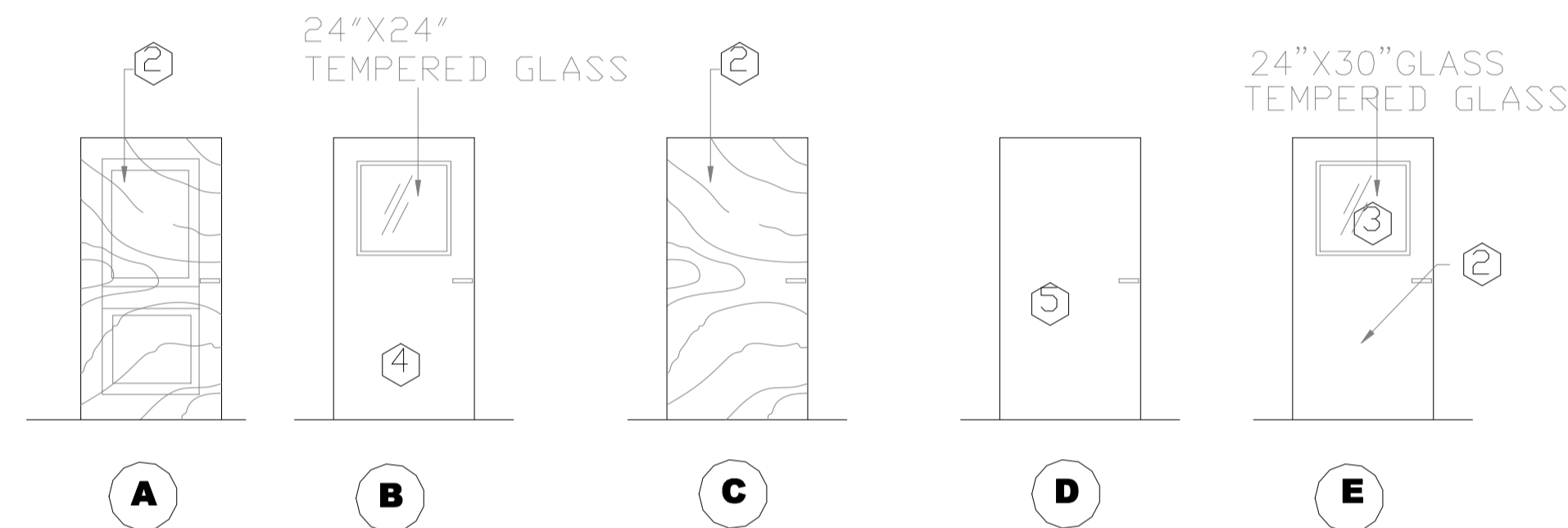
RRM.102



RRM.103

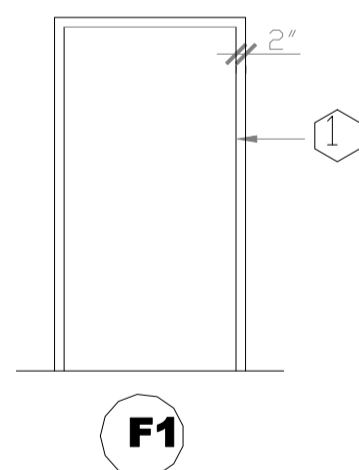
DOOR SCHEDULE							
DOOR NO.	DOOR SIZE	DOOR DESIGN	DOOR MATERIAL	FRAME DESIGN	FRAME MATERIAL	HARDWARE SET NO.	NOTES
1	3068	A	WOOD	F1	TIMELY HM.	1	2 PANEL WOOD DOOR
2	3068	B	HM	F1	TIMELY HM.	1	
3	3068	D	HM	F1	TIMELY HM.	1	
4	3068	C	WOOD	F1	TIMELY HM.	2	
5	3068	E	WOOD	F1	TIMELY HM.	2	
6	3068	C	WOOD	F1	TIMELY HM.	2	
7	3068	C	WOOD	F1	TIMELY HM.	2	
8	3068	C	WOOD	F1	TIMELY HM.	2	
9	3068	C	WOOD	F1	TIMELY HM.	2	
10	3068	C	WOOD	F1	TIMELY HM.	2	
11	3068	C	WOOD	F1	TIMELY HM.	2	
12	3068	E	WOOD	F1	TIMELY HM.	4	SELF CLOSING DOOR
13	3068	C	WOOD	F1	TIMELY HM.	2	

- NOTES**
- HOLLOW METAL FRAME.
 - SOLID WOOD ARCHITECTURAL GRADE DOORS.
 - TEMPERED GLASS.
 - HM. DOOR W/ TEMPERED GLASS PANEL.
 - HM. DOOR.



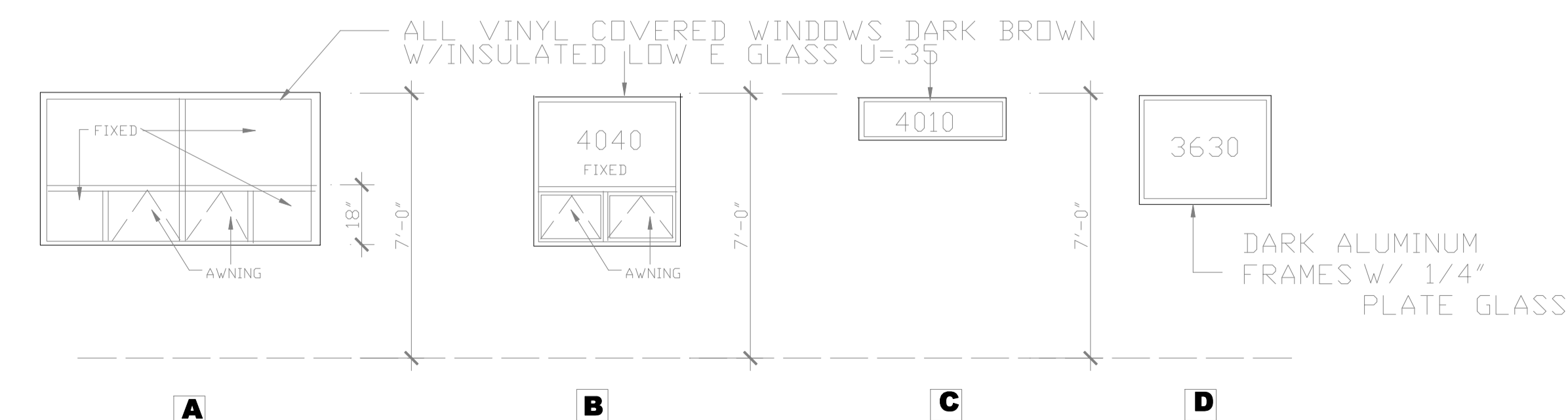
DOOR DESIGNS

SCALE: 1/4"=1'-0"



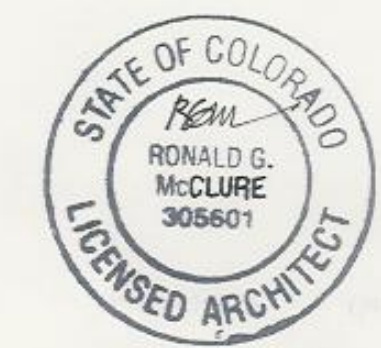
FRAME DESIGNS

SCALE: 1/4"=1'-0"



WINDOW ELEVATIONS

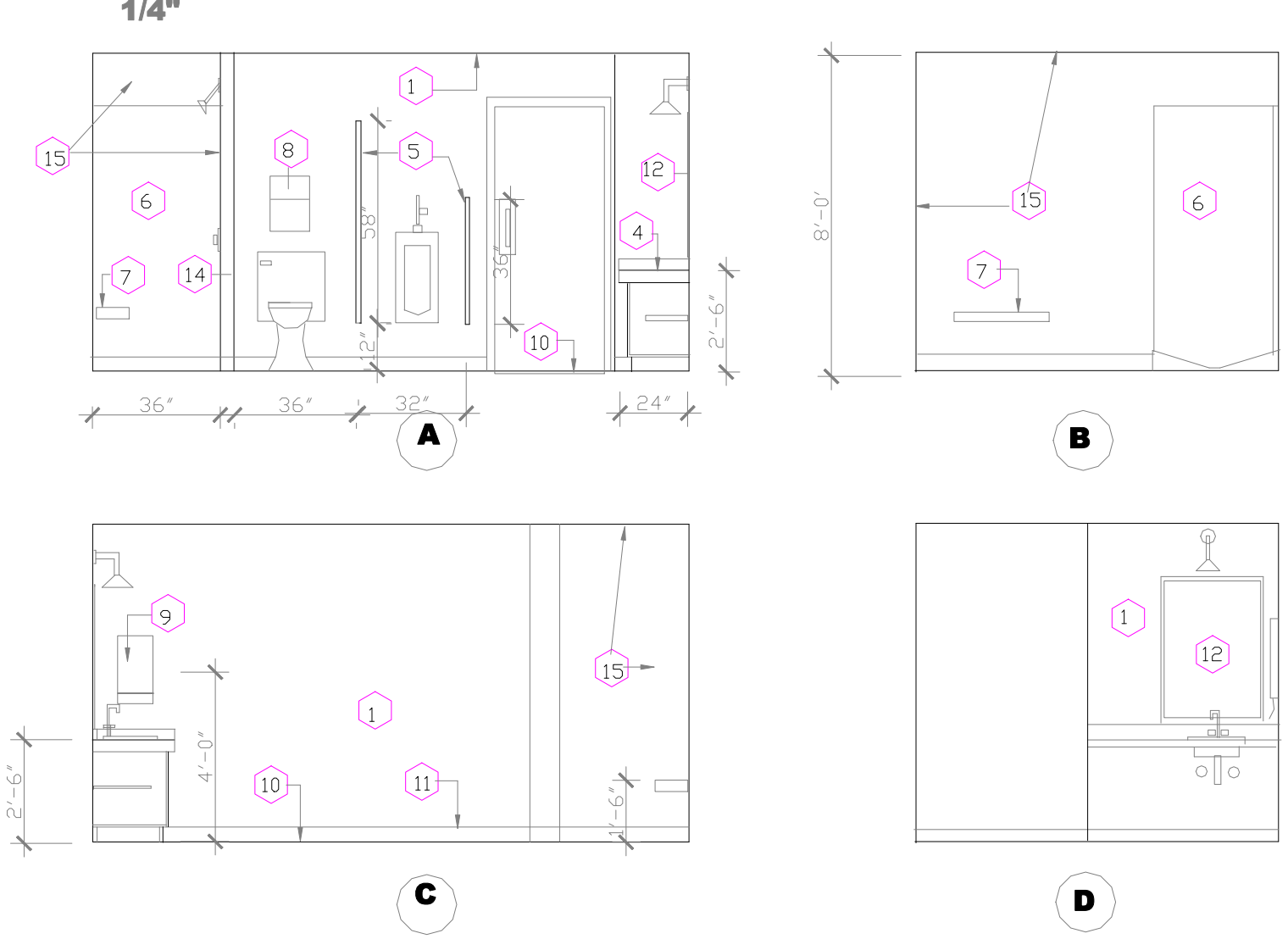
SCALE: 1/4"=1'-0"



REV. DATE: 2/16/2017

INTERIOR ELEVATIONS

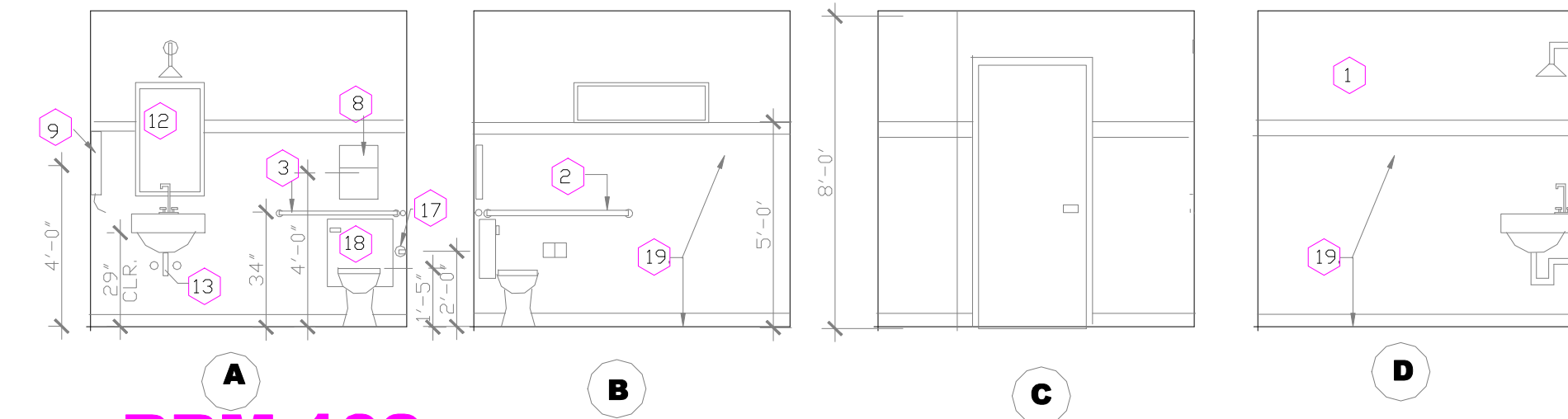
ROOM FINISH SCHEDULE						
ROOM NO.	FLOORS	WALLS	CEILING	BASE	CEILING HGT.	NOTES
WAITING 100	●					
OFFICE 101	●					
RRM. 102						
RESTRM. 103	●					
STAFF. 104						
STAFF 105						
RECORDS. 106						
OFFICE 107						
OFFICE 108						
STDR. 109						
GARAGE. 110						



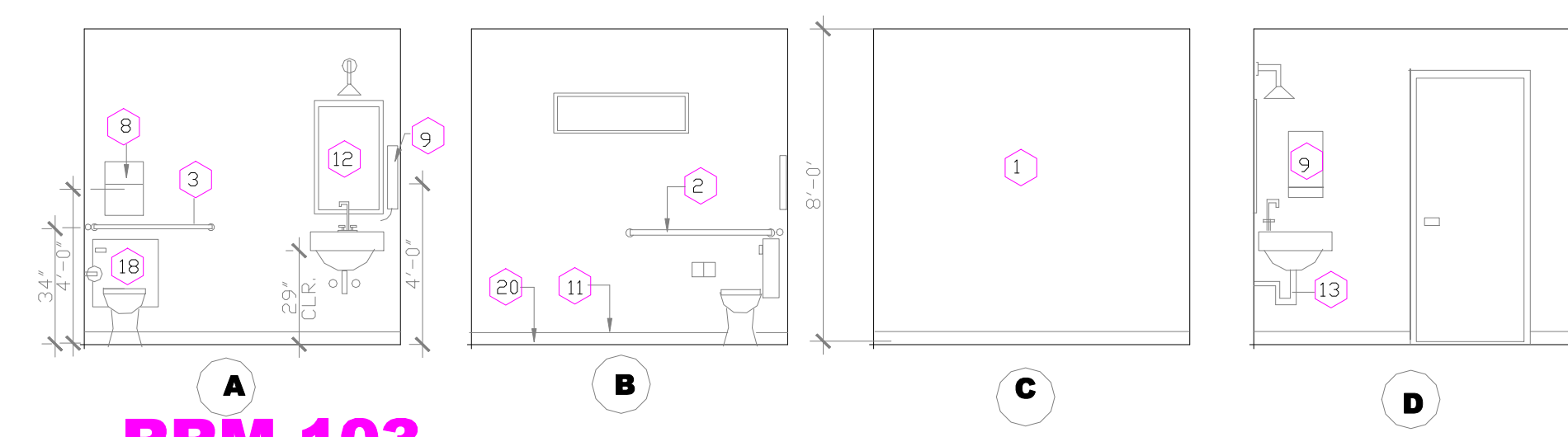
NOTES

- 5/8" GYPBD.
- 42" GRAB BAR.
- 36" GRAB BAR.
- PLASTIC LAMINATE CTR. TOP.
- METAL TOILET PARTITION.
- 4" PC. FIBERGLASS SHOWER.
- SHOWER SEAT - SEE SPECS.
- TOILET SEAT COVER DISPENSOR.
- PAPER TOWEL DISPENSOR.
- EPDXY FLOOR.
- RUBBER BASE.
- MIRROR - SEE SPECS.
- ADA PIPE COVERS.
- 2X4 WALL.
- SEMI-GLOSS PAINT ON THESE WALLS.
- NOT USED.
- TOILET PAPER HOLDER.
- HANDICAPPED TOILET.
- SEALED CONC. FLOOR.
- VCT.

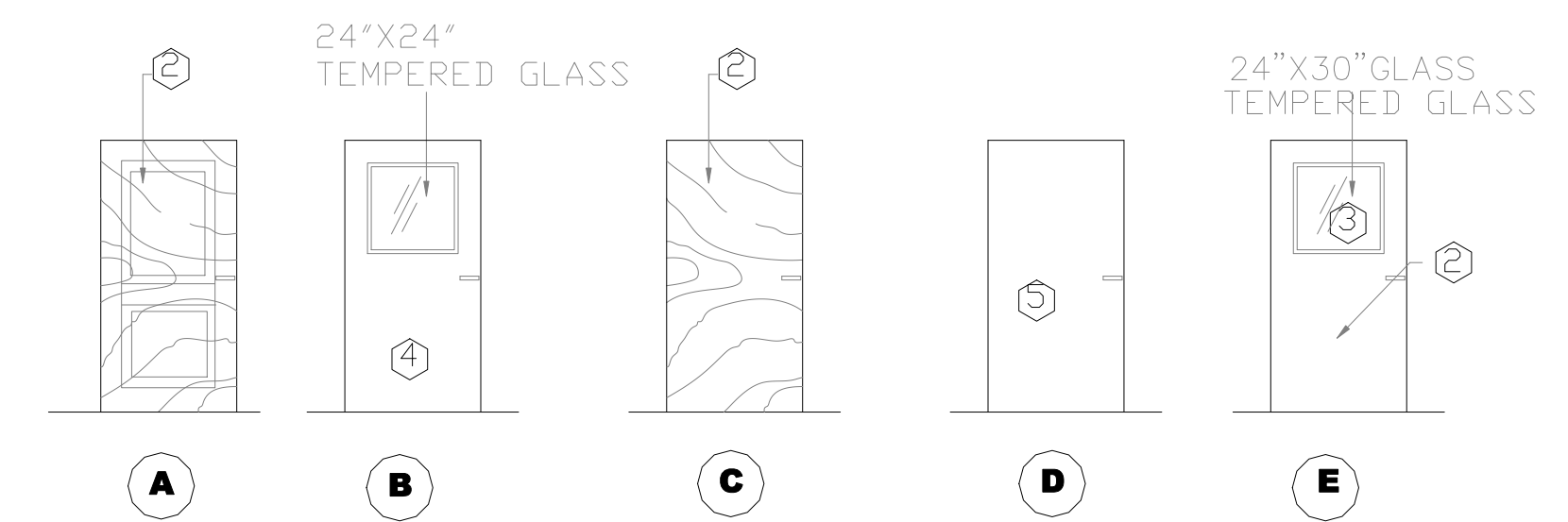
STAFF RRM. 104



RRM.102

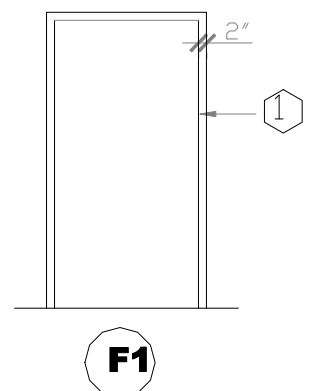


RRM.103



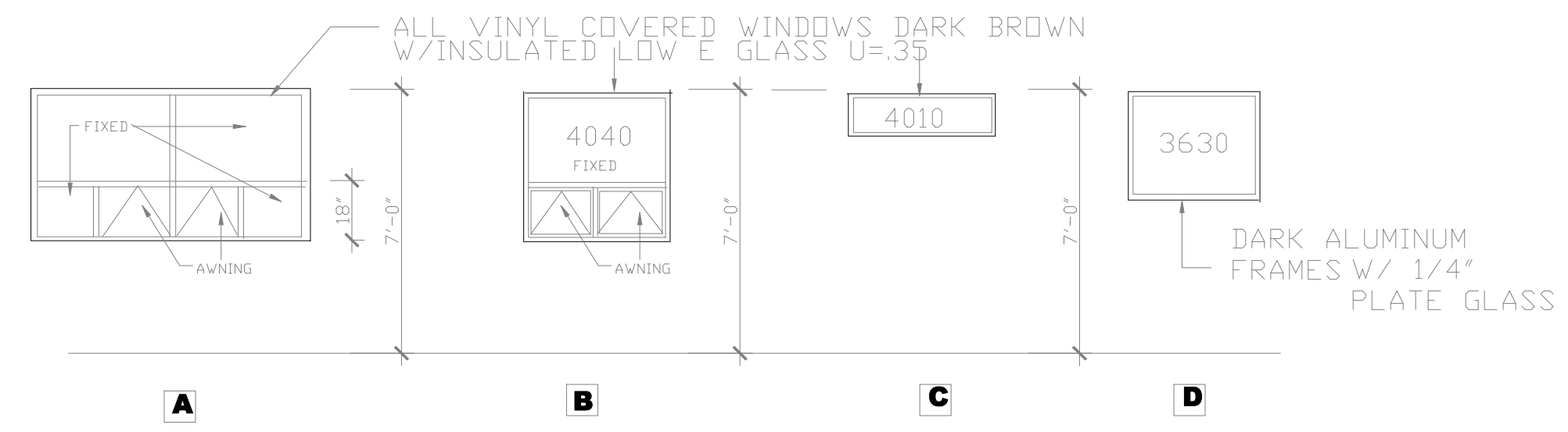
DOOR DESIGNS

SCALE: 1/4"=1'-0"



FRAME DESIGNS

SCALE: 1/4"=1'-0"



WINDOW ELEVATIONS

SCALE: 1/4"=1'-0"

DOOR SCHEDULE							
DOOR NO.	DOOR SIZE	DOOR DESIGN	DOOR MATERIAL	FRAME DESIGN	FRAME MATERIAL	HARDWARE SET NO.	NOTES
1	3068	A	WOOD	F1	TIMELY HM.	1	2 PANEL WOOD DOOR
2	3068	B	HM	F1	TIMELY HM.	1	
3	3068	D	HM	F1	TIMELY HM.	1	
4	3068	C	WOOD	F1	TIMELY HM.	2	
5	3068	E	WOOD	F1	TIMELY HM.	2	
6	3068	C	WOOD	F1	TIMELY HM.	2	
7	3068	C	WOOD	F1	TIMELY HM.	2	
8	3068	C	WOOD	F1	TIMELY HM.	2	
9	3068	C	WOOD	F1	TIMELY HM.	2	
10	3068	C	WOOD	F1	TIMELY HM.	2	
11	3068	C	WOOD	F1	TIMELY HM.	2	
12	3068	E	WOOD	F1	TIMELY HM.	4	SELF CLOSING DOOR
13	3068	C	WOOD	F1	TIMELY HM.	2	

NOTES

- HOLLOW METAL FRAME.
- SOLID WOOD ARCHITECTURAL GRADE DOORS.
- TEMPERED GLASS.
- HM. DOOR W/ TEMPERED GLASS PANEL.
- HM. DOOR.

PARKS CEMETERY OFFICE

ARCHITECTURE
RON
RON MCCLURE ARCHITECT
 POST OFFICE BOX 83
 DEL NORTE, CO 81132
 719 . 657 . 3221
RON MCCLURE

DATE: 29 MAY 2015
 REV. DATE: 8 JUNE 2015
 REV. DATE: 1 JULY 2015
 REV. DATE: 2/16/2017

INTERIOR ELEVATIONS

A8