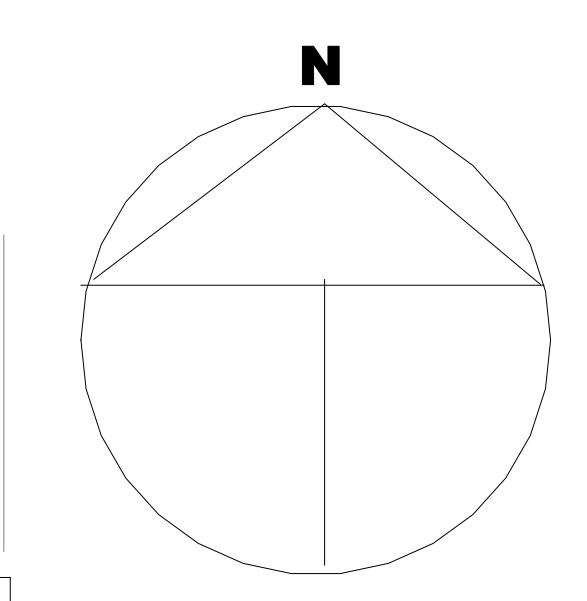
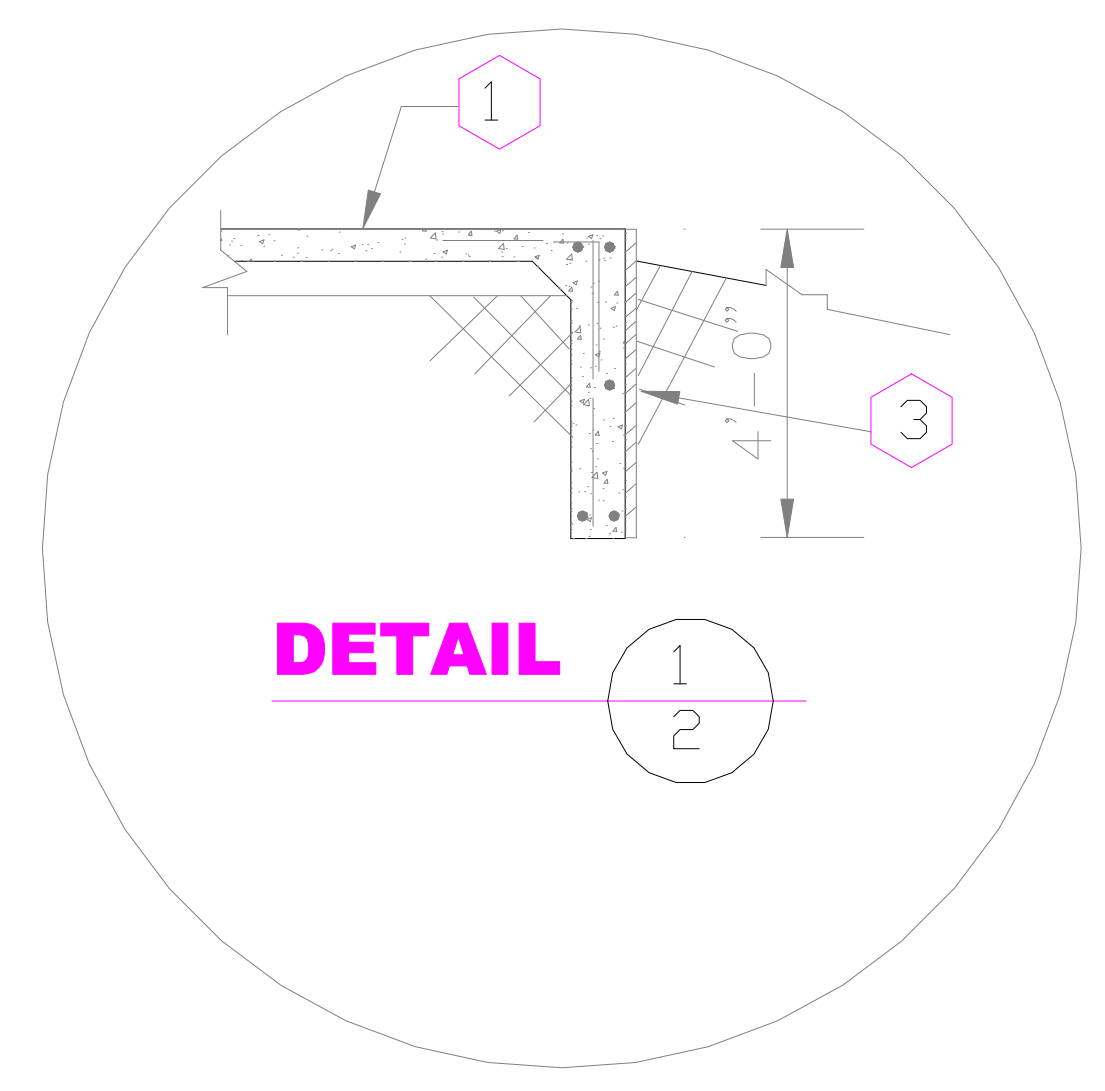


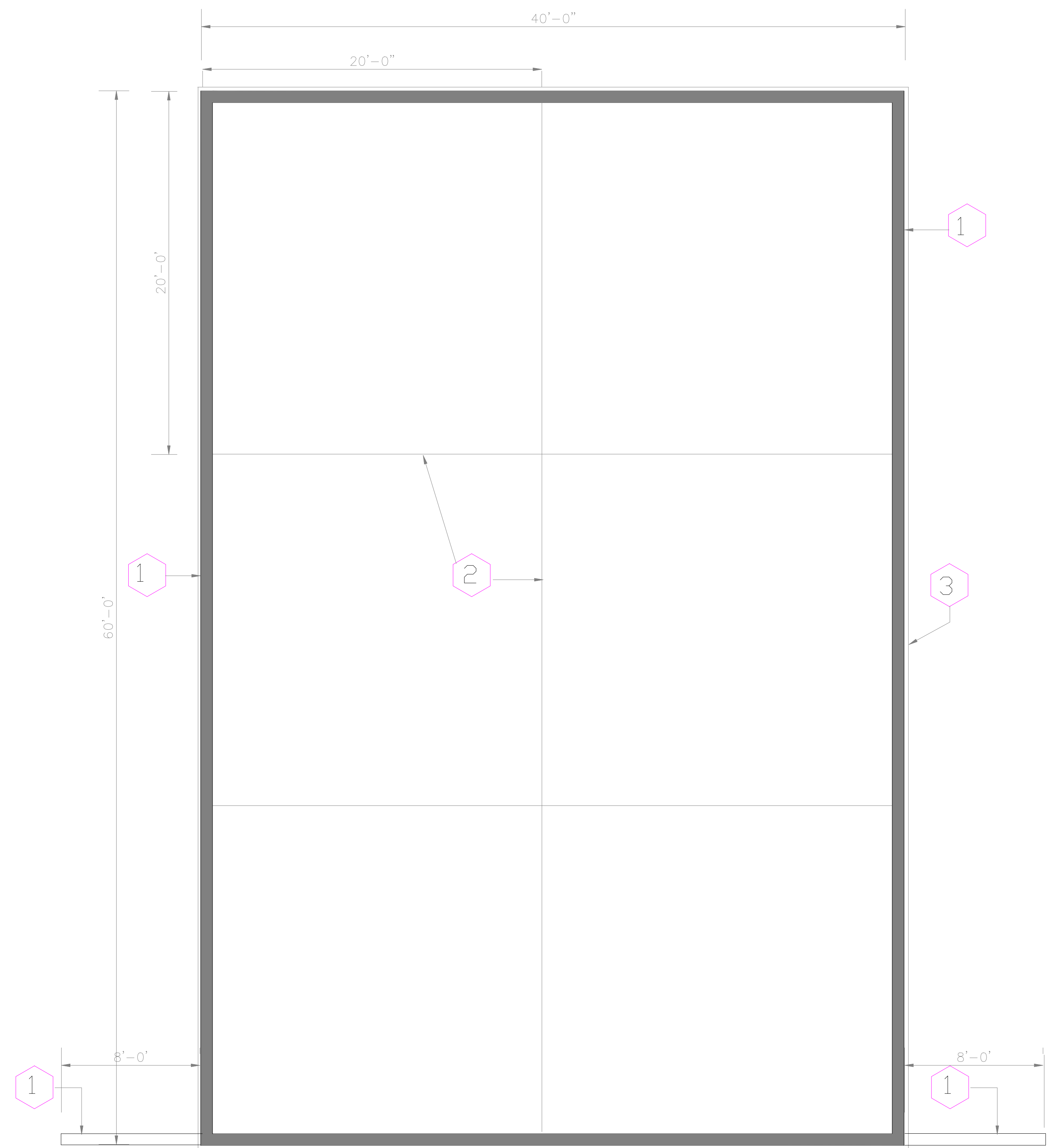
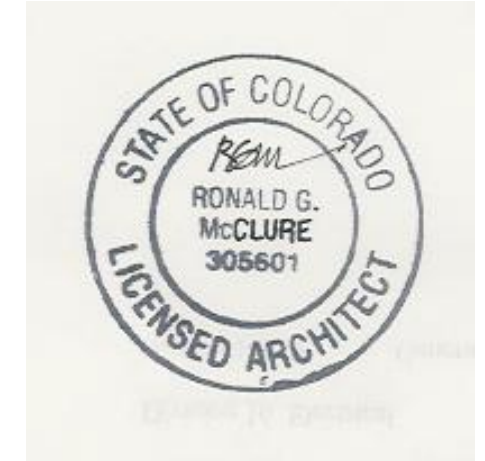
## NOTES

1. 8" THICK STEM WALL POURED MONOLITHICALLY W/ 4" TH. CONC FLOOR SLAB ON 4" TH. PIT RUN GRAVEL BED. STEM WALL TO HAVE #4 REBAR @32" O/C VERTICALLY AND #4 @16" O/C. 2#4 TP AND 2#4 BTM. TIE STEM WALL BACK INTO SLAB W/#4 24" L EACH INTO SLAB AND INTO STEM WALL. SPACE TIE REBAR @64" O/C. SEE DETAIL 1/2
2. CONC. SLAB CUT EXPANSION JOINTS AS SHOWN.
3. 2" RIGID INSULATION R-10 @ STEM WALL PERIMETER.



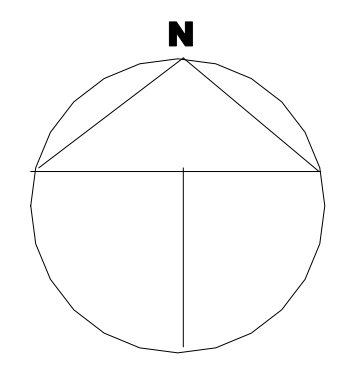
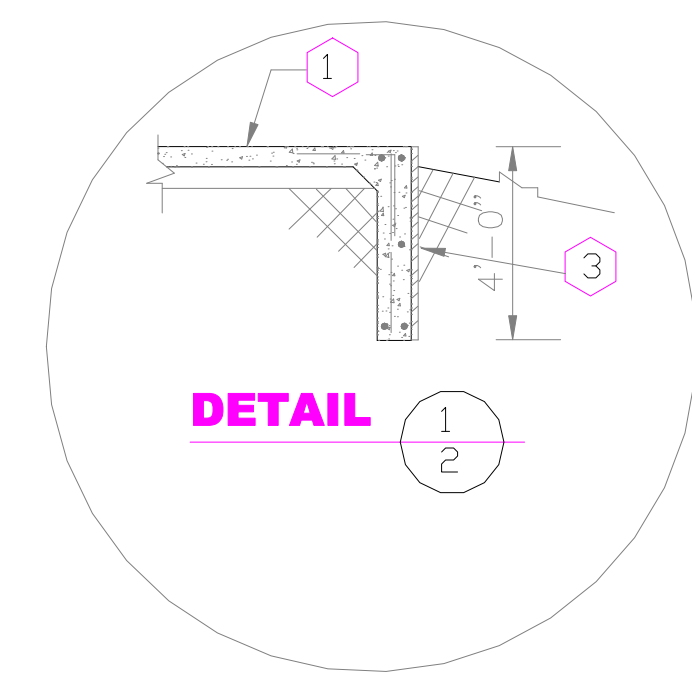
# FOUNDATION PLAN

SCALE: 1/4"=1'-0"



**NOTES**

- 1. 8" THICK STEM WALL POURED MONOLITHICALLY W/ 4" TH. CONC FLOOR SLAB ON 4" TH. PIT RUN GRAVEL BED. STEM WALL TO HAVE #4 REBAR @32" O/C VERTICALLY AND #4 @16" O/C. 2#4 TP AND 2#4 BTM. TIE STEM WALL BACK INTO SLAB W/ #4. 24" LEACH INTO SLAB AND INTO STEM WALL. SPACE TIE REBAR @64" O/C. SEE DETAIL 1/2
- 2. CONC. SLAB CUT EXPANSION JOINTS AS SHOWN.
- 3. 2" RIGID INSULATION R-10 @ STEM WALL PERIMETER.



**FOUNDATION PLAN**

SCALE: 1/4"=1'-0"

**PARKS BLDG.  
PLAN 2**

ARCHITECTURE  
*RON*  
 RON MCCLURE  
 ARCHITECT  
 POST OFFICE BOX 83  
 DEL NORTE, CO 81132  
 719 . 657 . 3221  
**RON MCCLURE**

DATE: 4/15/2016  
DATE: 2/16/2017

**FOUNDATION  
PLAN**

A2