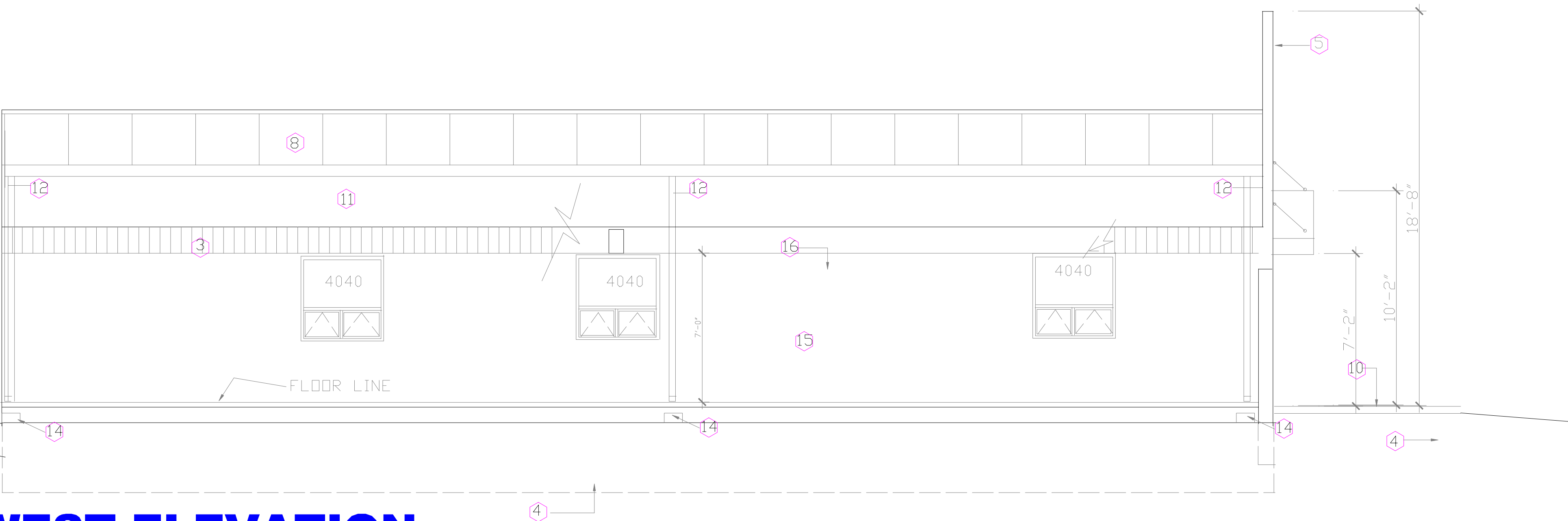


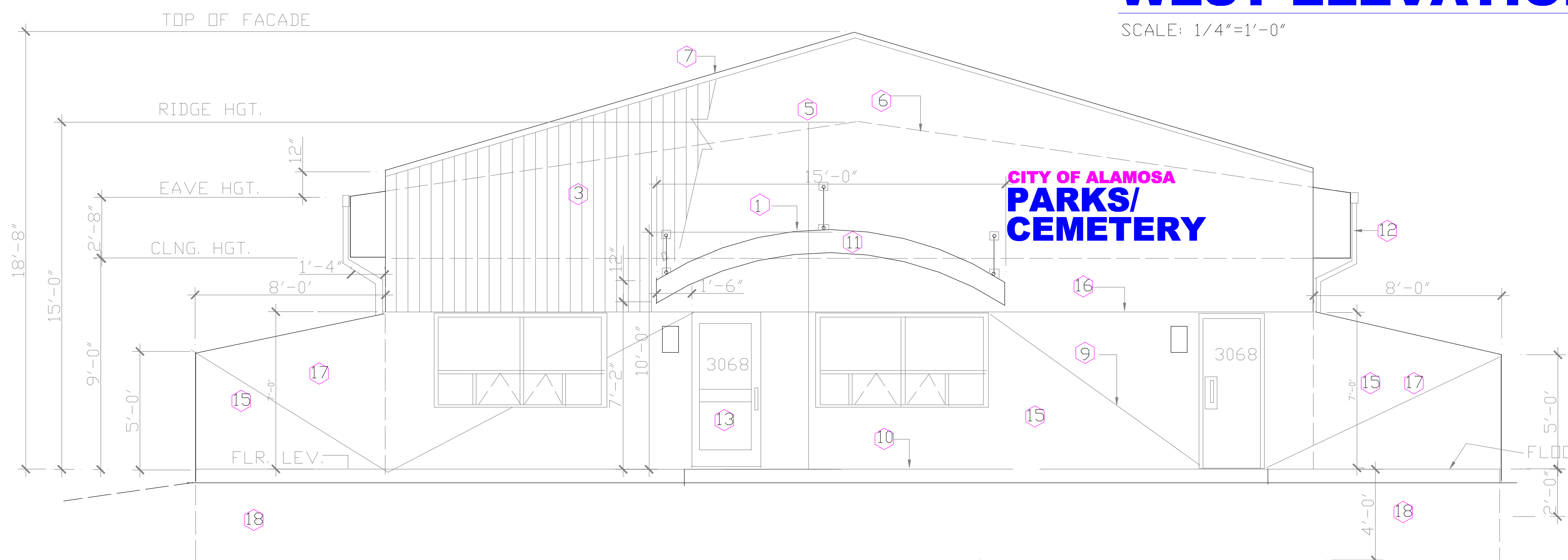
NORTH ELEVATION

SCALE: 1/4"=1'-0"



WEST ELEVATION

SCALE: 1/4"=1'-0"



SOUTH ELEVATION

SCALE: 1/4"=1'-0"

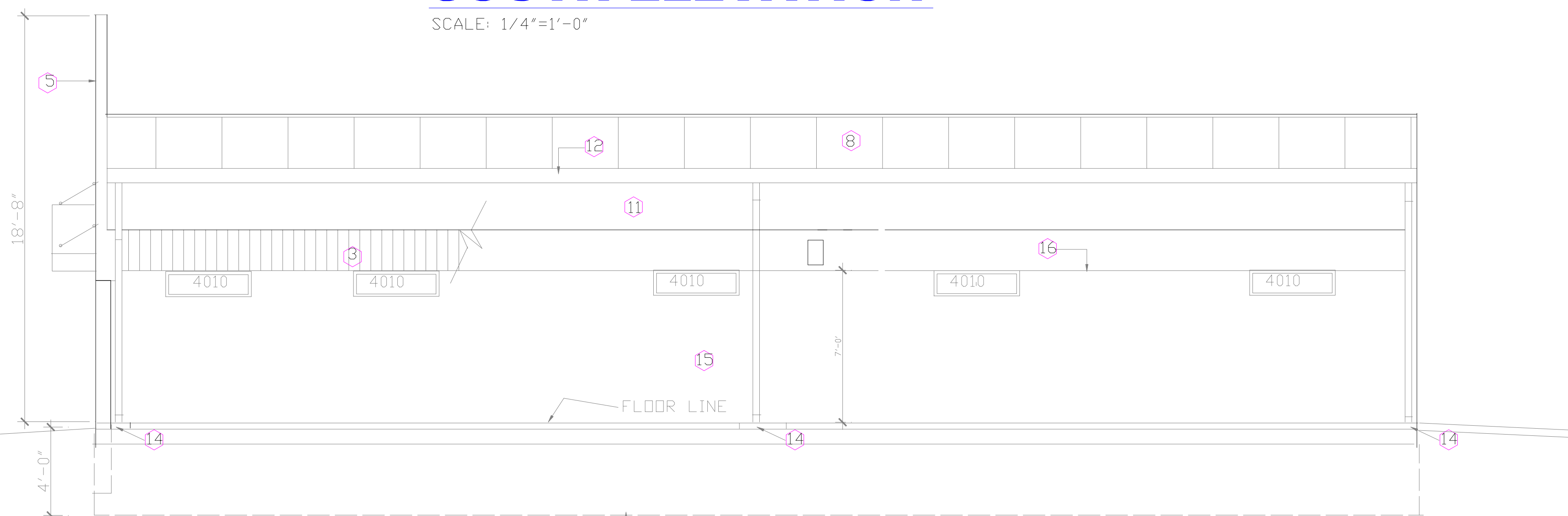
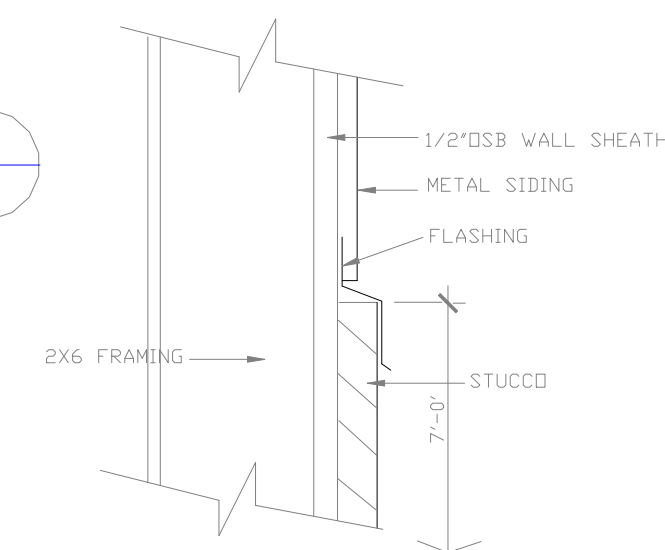
NOTES

1. EYEBROW CANOPY-SEE DETAIL
2. CANOPY SEE DETAIL.
3. VERTICAL METAL SIDING.
4. CONC. FOUNDATIONS-SEE FOUND. PLAN
5. 2X6 FRONT FACADE WALLS @16"O/C COVERED W/ VERTICAL SIDING.
6. LINE OF ROOF SLOPE BEHIND FACADE.
7. METAL WALL CAP TO MATCH COLOR OF SIDING.
8. METAL ROOFING TO MATCH SIDING.
9. DIAGONAL STUCCO EXPANSION JOINTS.
10. FRONT COLORED 4"TH CONC. SLAB.
11. 1/2" FIBERBD. FASCIA.
12. 6" METAL GUTTER AND DOWNSPOUTS W/ CONC. SPLASH PAD AT BTM.
13. FRONT ENTRY DOOR DARK FRAME TO MATCH WINDOWS.
14. CONC. SPLASH BLOCK
15. STUCCO
16. JOINT DETAIL

JOINT DETAIL

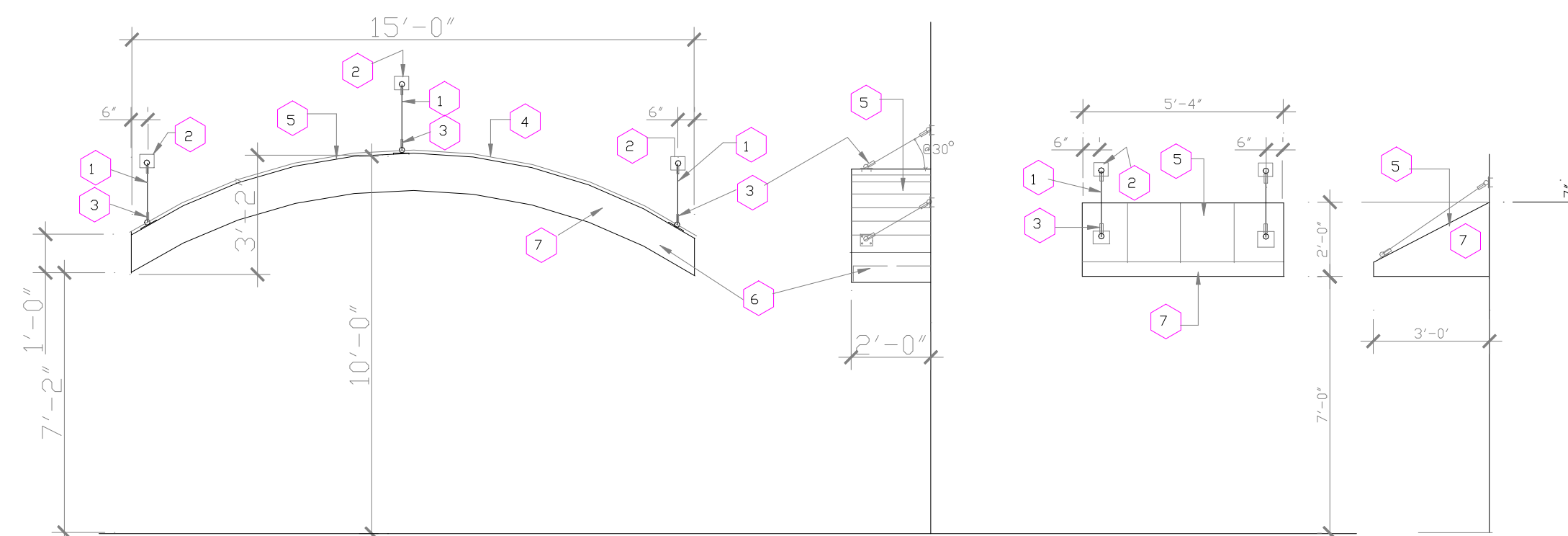
NO SCALE

17. 2X12 FRAME WALL @16"O/C W/ STUCCO
18. 48"X8" POURED CONC. STEM WALL/FTNG. W/ 2#4 BTM. AND #4 VERT. @16"O/C.



EAST ELEVATION

SCALE: 1/4"=1'-0"



EYEBROW DETAIL

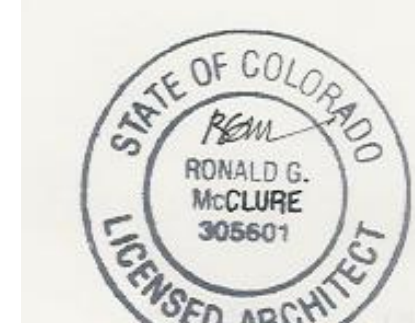
NO SCALE

CANOPY DETAIL

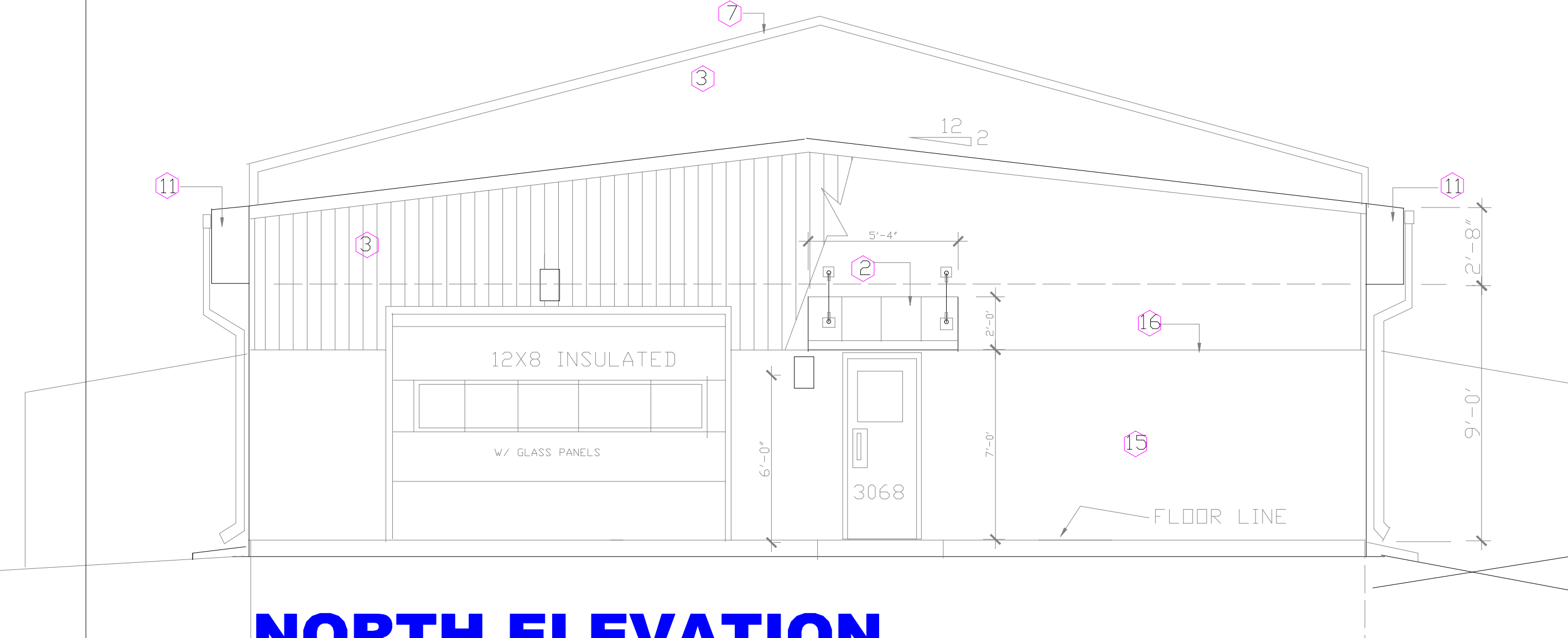
NO SCALE

NOTES

1. 3/4"Ø STEEL ROD PAINTED TO MATCH SIDING.
2. 4X4 SUPPORT STEEL BRACKETS ATTACH TO FACADE FRAMING W/ 4- 3/8"X6" LAG BOLTS/EACH BRACKET.
3. STL. TURNBUCKLES--WELD TO PLATES.
4. BRING METAL SIDING DOWN TO 1" OF EYEBROW.
5. 29 GA METAL ROOFING ON 1/2" OSB SHEATHING.
6. 2X6 FRAME ON 2" FIBERBD. SOFFIT.
7. 1/2" FIBERBD. SOFFIT.

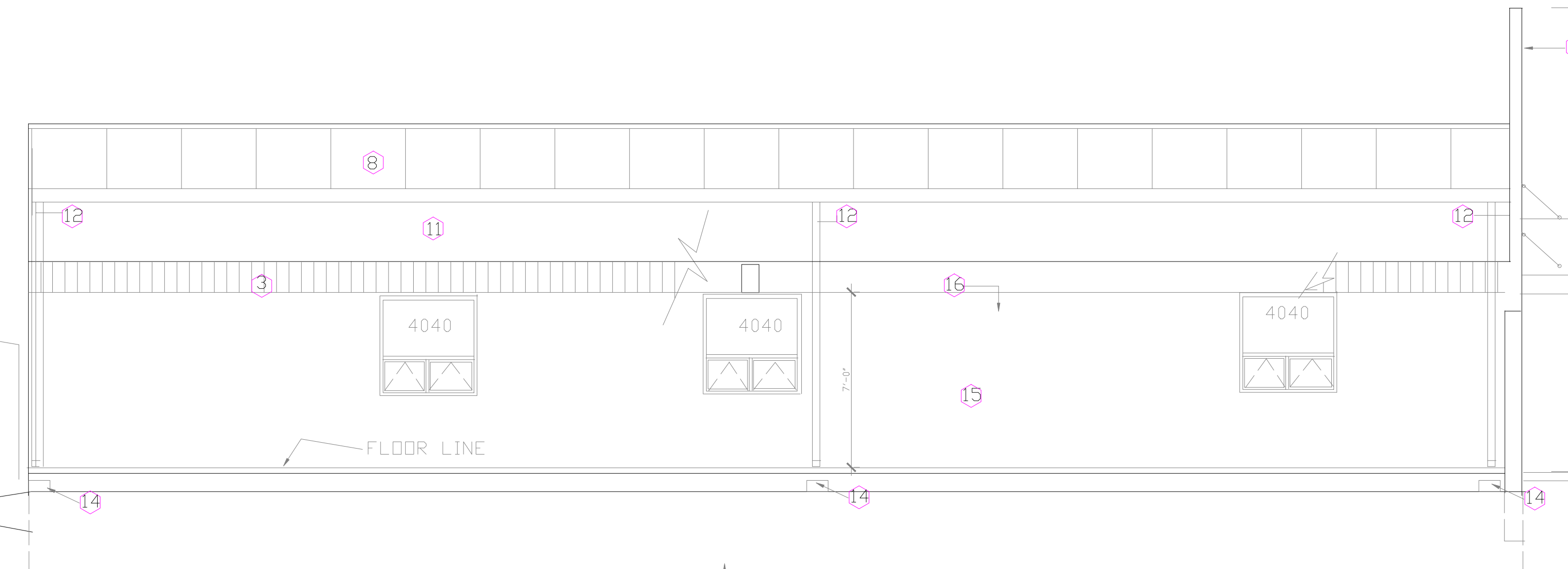


DATE: 2/16/2017



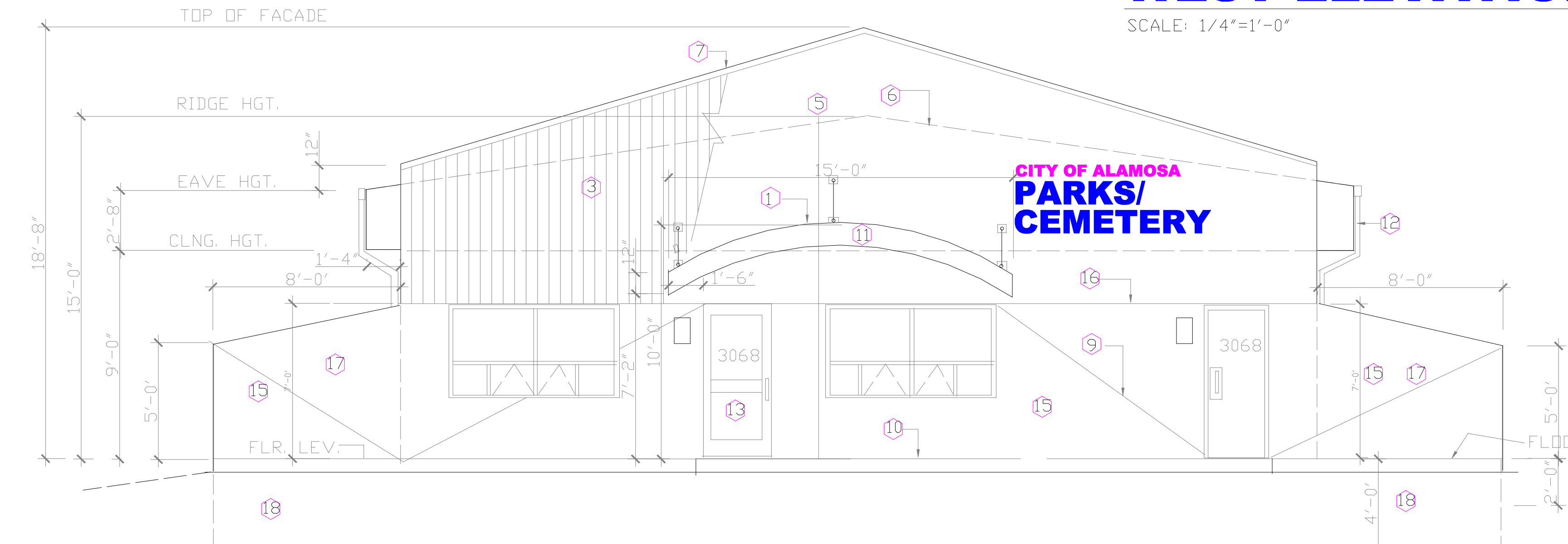
NORTH ELEVATION

SCALE: 1/4"=1'-0"



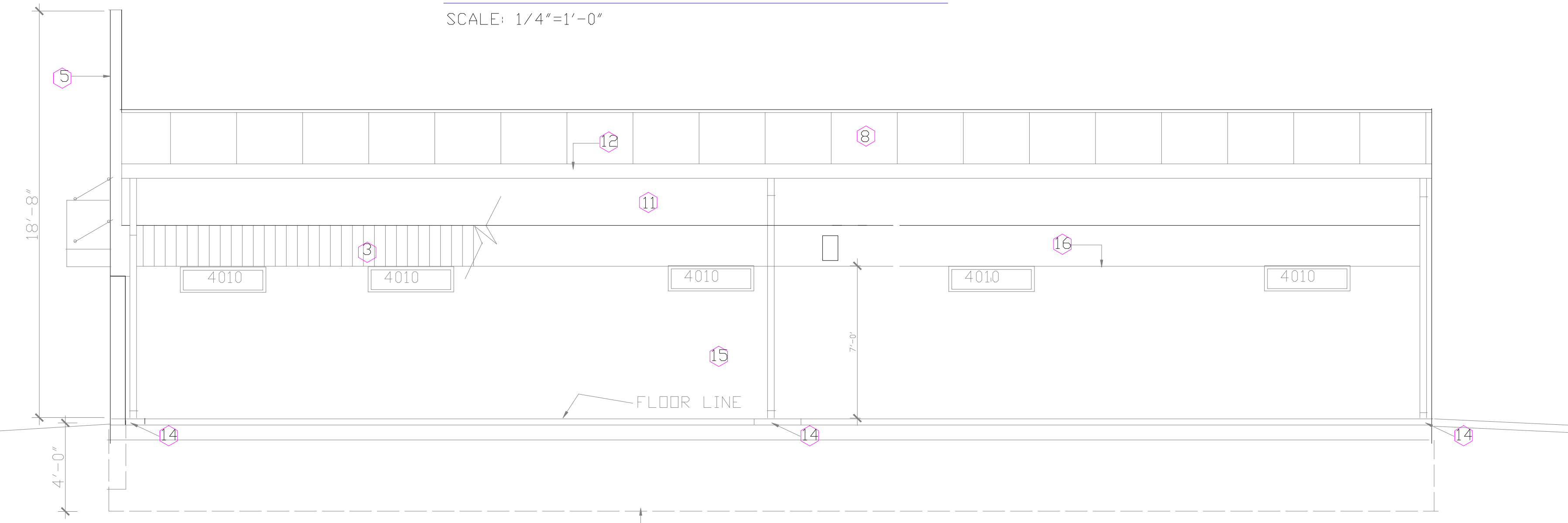
WEST ELEVATION

SCALE: 1/4"=1'-0"



SOUTH ELEVATION

SCALE: 1/4"=1'-0"



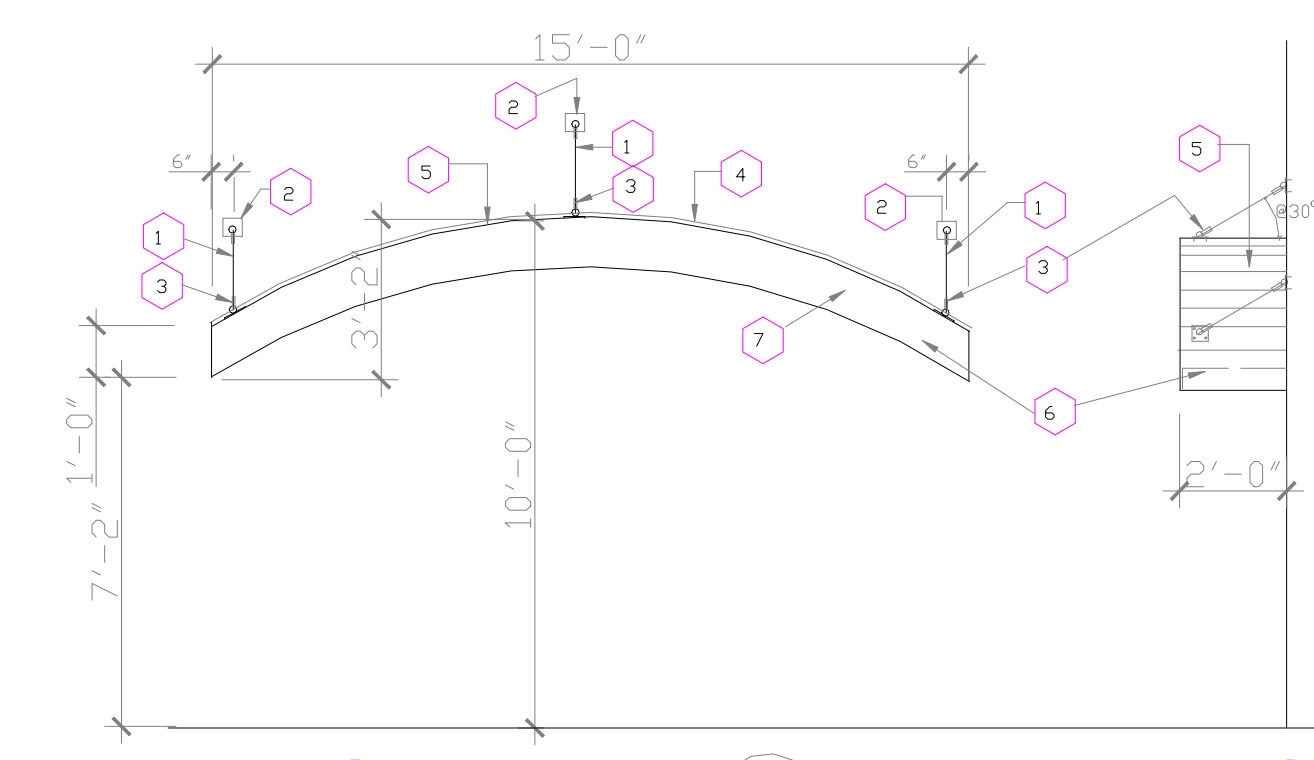
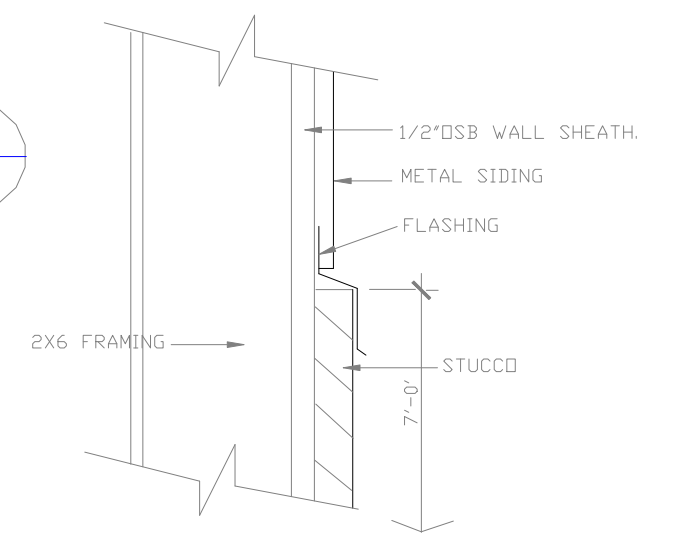
EAST ELEVATION

SCALE: 1/4"=1'-0"

NOTES

1. EYEBROW CANOPY-SEE DETAIL
2. CANOPY SEE DETAIL.
3. VERTICAL METAL SIDING.
4. CONC. FOUNDATIONS-SEE FOUND. PLAN
5. 2X6 FRONT FACADE WALLS @16"O/C COVERED W/ VERTICAL SIDING.
6. LINE OF ROOF SLOPE BEHIND FACADE.
7. METAL WALL CAP TO MATCH COLOR OF SIDING.
8. METAL ROOFING TO MATCH SIDING.
9. DIAGONAL STUCCO EXPANSION JOINTS.
10. FRONT COLORED 4"TH. CONC. SLAB.
11. 1/2" FIBERBD. FASCIA.
12. 6" METAL GUTTER AND DOWNSPOUTS W/ CONC. SPLASH PAD AT BTM.
13. FRONT ENTRY DOOR DARK FRAME TO MATCH WINDOWS..
14. CONC. SPLASH BLOCK
15. STUCCO
16. JOINT DETAIL
17. 2X12 FRAME WALL @16"O/C W/ STUCCO
18. 48"X8" POURED CONC. STEM WALL/FTNG. W/ 2#4 BTM. AND #4 VERT. @16"O/C.

JOINT DETAIL



EYEBROW DETAIL

NO SCALE

CANOPY DETAIL

NO SCALE

1. 3/4"Ø STEEL ROD PAINTED TO MATCH SIDING.
2. 4x4 SUPPORT STEEL BRACKETS ATTACH TO FACADE FRAMING W/ 3/8"X6" LAG BOLTS/EACH BRACKET.
3. 2x6 TURNBUCKLES -WELD TO PLATES.
4. BRING METAL SIDING DOWN TO 1" D/E EYEBROW.
5. 29 GA. METAL ROOFING ON 1/2" OSB SHEATHING.
6. COLOR TO MATCH SIDING
7. 1/2" FIBERBD. SOFFIT.

PARKS BLDG. PLAN 2

ARCHITECTURE
Ron
 RON MCCLURE
 ARCHITECT
 POST OFFICE BOX 83
 DEL NORTE, CO 81132
 719 . 657 . 3221
 RON MCCLURE

DATE: 4/15/2016
DATE: 2/16/2017

EXTERIOR ELEVATIONS

A7